



Pedestrian Tripod Turnstile Gate



The **SEWO S1200 Motorised Tripod Turnstile Gate** is typically used for Pedestrian Movement in Factories, Offices, Amusement Parks, Museums, Movie Theatres etc. for efficiently controlling and managing movement of pedestrians.

The Turnstile Gate is offered with a Brush-less DC Motor for the rotating arm movement with an encoder for position sensing. The encoder technology does away with the use of limit switches for the very same purpose.

The Tripod Arm automatically drops down in case of an emergency In-put for safe & quick processing of people safely out through the gate without any obstruction. On resumption of normal condition, the arms will automatically arrive at the blocked position on the top. The tripod turnstile is then ready for normal operation.

The Turnstile Gate can be integrated with varied access Control Systems viz. Proximity Card, Bar Code Tickets, Bio-metric, QR Code Technology etc. Additionally, Shlara Automation can also provide QR Code Readers & Finger Print Readers.

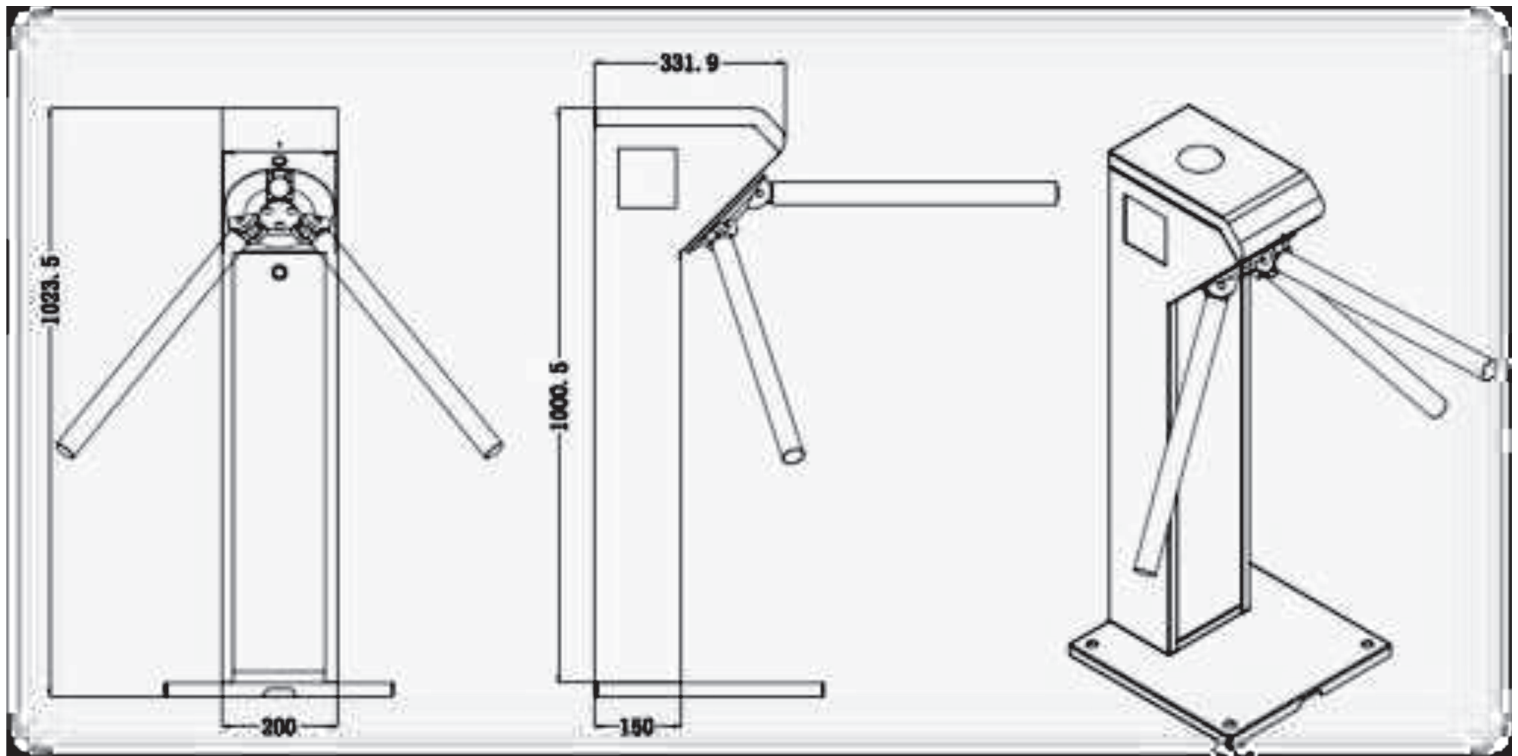
The Brush-less DC drive offers long and reliable service life with an MCBF of over 5 Mil Cycles.

The Tripod Turnstile is ideal for indoor application but nevertheless can be also deployed outside a building preferably under a canopy for protection from the elements.

The Turnstile is aesthetically & ergonomically designed to locate varied access control systems that may be integrated in a discreet yet easy to access manner.

Provision for Red Green indication lamp, a small screen for Greetings such as Good Morning or Good Evening depending on the time of day is a feature that is built into the turnstile. This screen may alternately be used to display card information that is very useful such as Available Credit, Accessible rides, Name of the Movie & Screen No. etc. are just a few of the options available as value addition that may desired. These are options that must be requested for in advance before the products are delivered.

- » Housing material : SUS304 stainless steel /1.5mm (hairline finish)
- » Passage width : 550mm
- » Working Voltage : AC110/AC220±10% V/50±10% Hz
- » Drive Technology : Motorised (Brush-less DC Motor with Encoder for Position Sensing)
- » Power : 70W
- » Environment : Indoor
- » Protection grade : IP43
- » Emergency : Drop-Arm Feature built-in with Automatic arm reset on resumption of power
- » Noise : < 50DB
- » MCBF : > 5 million
- » Lightning Protection Grade : Level 3
- » Temperature rise of motor : $\Delta T15^{\circ}$
- » Rotation Speed : 0.4s also Pedestrian controlled
- » Throughput : Up to 45 people/Minute Excluding Card Validation
- » Temperature : -15°C to 70°C relative humidity : ≤95% condensation
- » Vandal Protection : Auto-reset in case of collusion against arm or forceful access attempt



NIHVA

NIHVA Technologies Pvt. Ltd.

+91 2066 3040 33 +91 85 51091 333 sales@nihva.com www.nihva.com

G-Block, 1st Floor, Thermax Chowk, MIDC, Above Renault Showroom, Chinchwad, Pune - 411019.