

Dock leveller

Crawford DL6020T

ASSA ABLOY

ASSA ABLOY Entrance Systems

The global leader in
door opening solutions



Telescopic lip dock leveller for general applications

The Crawford DL6020T Teledock, i.e. the dock leveller with a telescopic lip, is the universal and most flexible docking system. It is suitable for every loading situation - regardless of its complexity. The main advantage compared to other levellers is the movable telescopic lip which can be precisely positioned on the vehicle bed, thus giving optimal load utilisation of the whole vehicle bed area.

The Crawford DL6020T Teledock:

- Telescopic lip giving optimal load utilization of the whole vehicle bed area.
- Easy and comfortable operation.

The option Ergonomic Lip:

- Absolute bump free transition from the leveller platform to the lip.
- Especially designed for operations with typical electric pallet trucks without spring bumpers.

Crawford 950 series - the intelligent, all in one, docking control system

The innovative and unique 950 series docking control system gives you direct control of the dock leveller, dock shelter and door all in one control unit. With only a few self-explaining buttons it is easy to operate, to meet the demands of modern logistics. Separate steering units or complex wiring are no longer needed.

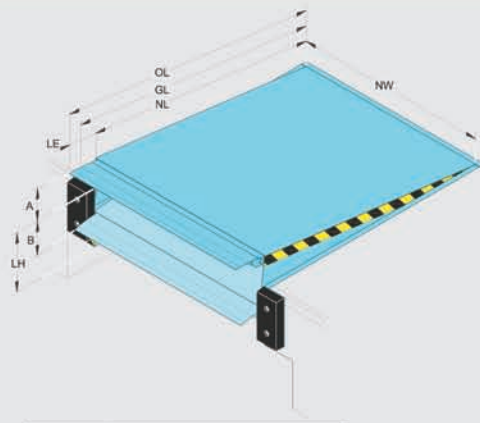
Crawford DE6090DI Dock-IN

Crawford Dock-IN is the world's first combined solution with parking guide and traffic lights in one system. Crawford Dock-IN ensures a safe and secure dock in procedure with the help of white guiding lights and red traffic lights. There is no need to paint and repaint guiding lines on the asphalt or install conventional steel parking guides, which are an obstacle in the yard. With modern LED technology Crawford Dock-IN has a low energy consumption and a long life.

Technical Data

Nominal length	2000, 2500, 3000, 3500, 4000, 4500 mm
Nominal width	1750, 2000, 2200, 2250 mm
Load capacity	60 kN (6 tonnes)
Vertical working range	
Rise above dock	up to 660 mm
Fall below dock	down to 440 mm
Platform tear-plate thickness	8/10 mm
Max. point load leveller platform	6,5 N / mm ² (8 mm tear plate)
Lip type and length	telescopic, 500/1000 mm ergonomic lip, 345 mm
Lip material	steel or aluminium
Lip option	tapered lip / Retracting tongues
Control unit protection class	IP 54
Temperature range hydraulic oil	-20°C - +60°C
European standard	EN 1398 Dock levellers

Dimensions

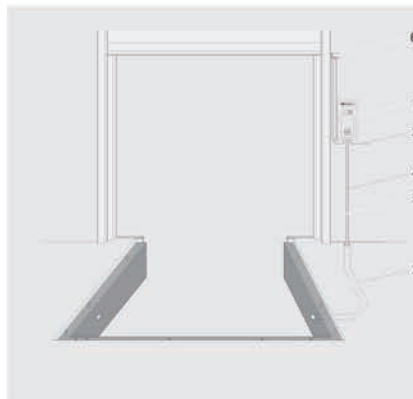


NL	Nominal length
OL	Overall length
GL	Gradient length
NW	Nominal width
LE	Lip extension
LH	Leveller height
A	Working range above dock level
B	Working range below dock level

Dimensions		Vertical working range					
		60 kN					
		LE 500		LE 1000		LE 345	
NL	LH	A	B	A	B	A	B
2000	600	310	310	380	370	270	280
	700	340	400	420	470	310	360
2500	600	420	260	500	290	380	225
	700	430	370	510	420	400	340
3000	600	370	230	430	250	350	210
	800	450	400	520	440	420	360
3500	800	520	400	600	440	490	360
4000	900	590	400	660	440	560	380
4500	900	570	410	640	440	550	380

Nominal width (NW) 1750, 2000, 2200, 2250 for all sizes

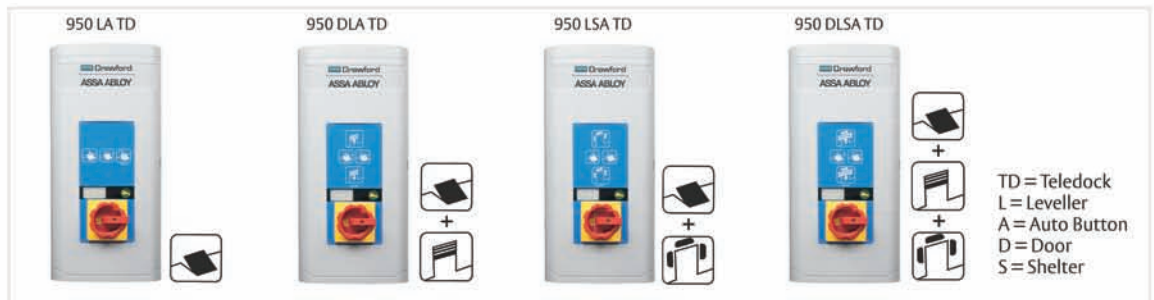
Electrical preparations



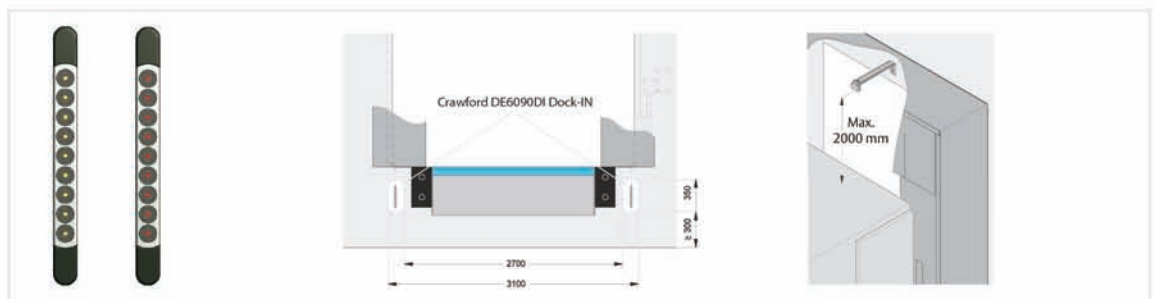
1	Control unit (included in the delivery)
2	Conduit for wiring internal diameter 70, angles <45° (by others)
3	Mains supply: 3 / N / PE AC 50 Hz 230 / 400V Mains fuse: D0 10 A gL Motor power: 1,5 kW
4	Cable: 7 x 0,75 mm ²
5	Motor cable: 4 x 1,5 mm ²
6	Optional safety switch on sectional door to disable leveller when door is closed*

*Non standard

Operating functions for Tele lip levellers



Crawford DE6090DI Dock-IN



Standard available colours

	Red RAL 3002		Green RAL 6005
	Blue RAL 5010		Jet Black RAL 9005

NIHVA
NIHVA Technologies Pvt. Ltd.