

RapidRoll® 300Plus Alu

The economical door for interior applications

ALBANY
ASSA ABLOY

Technical Data Sheet

ASSA ABLOY, the global leader
in door opening solutions



NIHVA

RapidRoll® 300Plus Alu

- Compact, light weight high speed door for internal use
- Additional equipment available for application in emergency exit areas

RAPIDROLL® 300 PLUS ALU SEALED

Amongst others the curtain guidance in the sideframe is reduced in order to achieve an optimum of sealing and a minimum loss of pressure.

It is suitable for the application in cleanrooms. The door can be installed inside or outside the positive pressure region.

The door can be applied up to ISO class 7.

DOOR DESIGN

The door (side frame, top roll cover and bottom profile) is made from aluminium.

DOOR CURTAIN

Standard: door is made of clear PVC with blue/red reinforcement stripes.

Optional: door curtain includes RollTex® or NomaTex® curtain with / without windows or vision panels or PVC with silicon free reinforcement stripes.



ACTUATORS

Individual applications can include additional safety devices. Actuators such as infrared, radar detectors, push buttons, vehicle detector loops or radio transmitters can be added to the control system. Please contact us for additional information for your specific needs.

CONTROL UNIT

Display unit with foil keys and a graphical display in a small box placed at the side frame. Numerous diagnostic messages can be read here.



KNOCK-OUT CAPABILITY

The RapidRoll® 300 Plus Alu can be equipped with a knock-out capability option. In the event of a collision the bottom profile breaks-away, causing a sensor to stop the door. The door can be easily reset by hand.



SAFETY FEATURES

The door has an electrical safety contact edge. Standard in-line photocell prevents the door from closing when an object is in the doorway. Optional integrated light curtain is available.



RAPIDROLL® 300 PLUS ALU F+R

By means of special additions the RapidRoll® 300 Plus Alu can be transferred into a high performance door for emergency exits and escape routes (up to a maximum size of 4000 x 4000 mm).



In this case the door is equipped with several monitoring devices, e.g. radar motion detector, automatic self-opening and regular self-testing.

The model RapidRoll® 300 Plus Alu Sealed is not suitable as emergency exit.



MOTOR COVER AND TOP ROLL COVER

Standard: without cover.

(for standard door RapidRoll® 300 Plus Alu)

Scope of delivery includes drive unit and top roll cover (for door RapidRoll® 300 Plus Alu with additional sealing)

Scope of delivery includes top roll cover (for the emergency exit and escape route version)

Optional: motor cover is available in plastic RAL 7040, or stainless steel RAL 9006 (for standard door RapidRoll® 300 Plus Alu)

Optional: top roll cover is available in aluminum. (for standard door RapidRoll® 300 Plus Alu)

INTERGRATED CABEL CHAIN

Intergrated cabel chain. Not available with knock-out capability.

MOTOR POSITION

The motor can be fitted either on the right or on the left hand side.

CONTROL BOX

The door comes standard with an ACS 50 contactor control system.

Optional is a MCC^{VectorControl} frequency converter control system available.



MANUAL OR AUTOMATIC EGRESS

Manual or automatic egress opens the door up to 2.0 m in the event of a power failure.



LBANY
SA ABLÖY



High Performance Door RapidRoll® 300Plus Alu

ADVANTAGES OF ALBANY RAPIDROLL® 300 PLUS ALU

- Space saving design enables installation onto door openings with restricted space
- Easy to clean door curtain
- Integrated balancing system allows for a manual or automatic egress.

APPLICATION

- As an interior door to separate work areas
- For climate control and energy conservation
- In protected exterior applications
- In applications with strict hygiene requirements
- In distribution and warehouse applications

DESIGN

Self supporting side frames and top roll are made of aluminum. The model with option Sealed is suitable for cleanrooms up to ISO class 7.

DOOR CURTAIN

The RapidRoll® 300 Plus Alu door curtain is made of clear PVC material with blue reinforced vertical stripes (optional colors are available). RollTex® fabric is available for applications needing a more durable curtain material. The door curtain is equipped with special wind tabs that travel in the side frame guides and gives the RapidRoll® 300 remarkable wind resistance.

KNOCK-OUT CAPABILITY

The RapidRoll® 300 Plus Alu can be equipped with a knock-out capability. In the event of a collision the bottom profile breaks-away, causing a sensor to stop the door. The door can be easily reset by hand.

DRIVE UNIT

The drive unit is a gear motor with open circuit brake, and can be positioned on the right or left side of the door.

CONTROL SYSTEM

The door comes standard with an ACS 50 contactor control system. Optional with the MCC^{VectorControl} frequency converter control system.

EGRESS

- Manual activation: the door can be opened by manually releasing the brake on the balancing system.
- Automatic activation (option): the door opens automatically in the event of a power outage. Depending on the width / height ratio the door opens completely or partly (up to 2.0 m)

SAFETY STANDARDS

The door is designed according to the Workplace Directive of the UVV regulations and the harmonized CE Guidelines including the EN 13241-1.

INDICATION OF RISK

The security of the door is designed for normal use and for vehicles in an industrial environment corresponding to the harmonised C Guidelines. In consideration of the on site situation – especially in case of pedestrian use – additional safety measures, such as additional actuators may be required. In addition, special environmental conditions may impact the choice of door type. For more information or to schedule an on-site inspection, please contact an Albany Door Systems sales engineer.

• Option ✓ Standard – Not possible

* optional with windows

** optional with vision panels

1) For doors of height ≤ 2500 mm the use of top roll and motor cover is required according to standard EN 13241-1.

2) Not possible in combination with Knock-out capability

3) 16 A at 220/230V

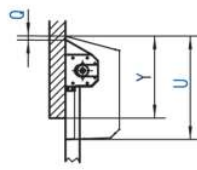
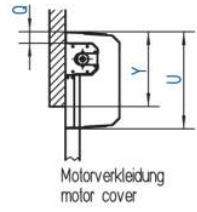
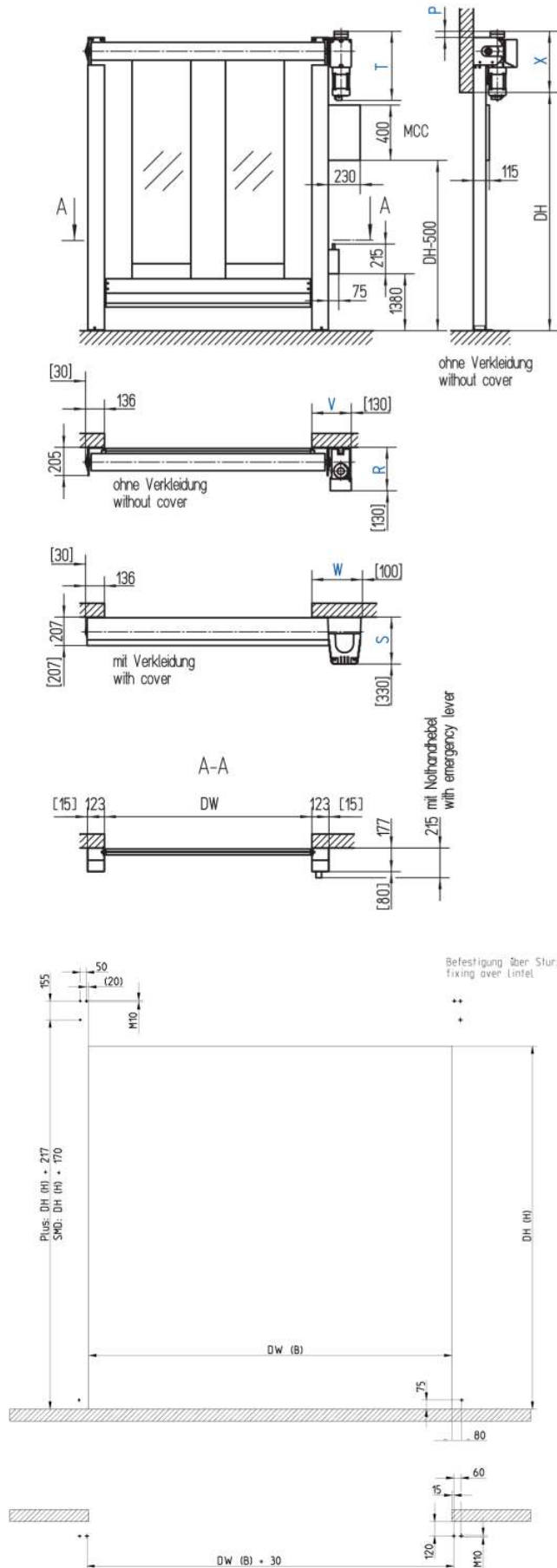
4) 10 A preferred, 16 A max.

5) Transformer necessary for 440/480/500V

6) Transformer necessary for 220/230/500V

TECHNICAL DATA	Rapid Roll® 300 Plus Alu Standard	Rapid Roll® 300 Plus Alu Sealed
Interior door	suitable	suitable
Exterior door	partially suitable	not suitable
Wind resistance (EN 12424)	class 1	class 0
Leakage (for doors 1500 x 200 mm)	-	65m³ at a pressure difference of 25 Pa
Door dimension (mm) (DW min./max.) (DH min./max.)	1000 / 4000 mm 1000 / 4200 mm	1000 / 3000 mm 1000 / 3000 mm
Opening direction	vertical	vertical
Covers		
Top roll cover	• ¹⁾	✓
Motor cover	• ¹⁾	✓
Surface		
Side frames, aluminium anodised	✓	✓
Bottom profile, aluminium anodised	✓	✓
Top roll, aluminium anodised	✓	✓
Door curtain		
PVC with blue/red reinforcement stripes	✓	✓
PVC with coloured reinforcement stripes	•	•
PVC with silicon free reinforcement stripes blue/black	•	•
RollTex® Plus*	•	•
RollTex® Original*	•	–
NomaTex® */**	•	•
Wind tabs	✓	✓
Curtain tension	•	–
Counterbalance	✓	✓
Drive unit / Control systems		
Drive unit	electrical	electrical
Control systems		
ACS 50	✓	✓
MCC ^{Vector Control}	•	•
Safety		
Electrical safety contact edge	✓	✓
Door line photocall	✓	✓
Light curtain (integrated)	• ²⁾	–
Fall down protection by tension springs	✓	✓
Knock-out capability	•	–
Manual activation with bowden lever	✓	✓
Second bowden lever	•	•
Automatic egress	•	–
Speed (m/s)		
Open/close up to max.	1,2/1,2	2,2/0,9
Fuse protection	10 A ³⁾	10 A ⁴⁾
Control voltage	24 V DC	24 V DC
Protection	IP 55	IP 55
Motor power / kW	0,75 kW	0,75 kW
3L(N)/PE(220/230/380/400/415V;50 Hz 3L(N)/PE(380/400/415/440/480V; 50/60Hz	✓ ⁵⁾	✓ ⁶⁾
Potential free contacts max. 250 V	✓	•
Traffic light function		
Without direction detection	✓	✓
With direction detection	–	✓
Flashing alarm light	✓	✓
Error message	✓ LED	✓ plain text

General Drawing RapidRoll® 300Plus Alu



Steuerung/Control Unit		ACS 50	MCC
Öffnungsgeschwindigkeit Opening speed	max [m/s]	1.2	2.2
Schließgeschwindigkeit Closing speed	max [m/s]	1.2	0.9
Abmessungen BxHxT Dimensions WxHxD	mm	300x400x210	220x380x100

Available sizes	DW (B)		DH (H)	
	min: *	1000	1000	
max: **	4000	4200		
* Crash	min: *	1300	1000	
** with Top 1.3	max: **	3500	3500	
*** with option sealed	max: ***	3000	3000	

Without motorcover ACS 50 / MCC / without control	
X	443
V	285
R	315
T	500
P	45

With motorcover			
	Plastic	Steel	Stainless steel
Y	470	485	515
W	366	362	362
S	340	340	340
U	610	600	650
Q	70	65	18(30°, 115(0°)

Zg.-Nr. 8300R0020/7
Stand 2010-06-14

ASSA ABLOY Entrance Systems is a leading supplier of entrance automation solutions for efficient flow of goods and people. With a worldwide presence we offer products and services dedicated to satisfying end-user needs for safe, secure, convenient and sustainable operations. ASSA ABLOY Entrance Systems is a division within ASSA ABLOY.

ALBANY
ASSA ABLOY

www.albanydoors.com

GERMANY

Am Mondschein 25
D - 59557 Lippstadt
Phone: +49 (0) 29 41 / 766-0
Fax: +49 (0) 29 41 / 766-294
verkauf.ads.de@albint.com

AUSTRIA

Bad Halerstrasse 21
A - 4522 Sierining
Phone: +43 (0) 72 59 / 43 77
Fax: +43 (0) 72 59 / 43 77 14
info.ads.at@albint.com

SWITZERLAND

Bonstrasse 22
CH - 3186 Düringen
Phone: +41 (0) 2 64 92 51 61
Fax: +41 (0) 2 64 92 51 60
info.ads.ch@albint.com

NIHVA

NIHVA Technologies Pvt. Ltd.

www.albanydoors.com