

Swing Door Operator Besam SW200i

ASSA ABLOY

ASSA ABLOY Entrance Systems

NIHVA



The Besam SW200i swing door operator is the perfect choice where high performance and superior safety is of extra importance

Energy-efficiency

Besam automated door systems are sustainable by nature and automatically convenient as they ensure opening only when needed to pass, eliminating unnecessary air infiltration and keeping climate zones separate. The innovative electronics in the Besam SW200i ensure minimal energy consumption for optimal door performance.

Safety

The Besam SW200i is safe to use for all, despite age and physical ability. In case of an obstruction by a person or object, the obstruction control ensures stop on stall and reverse operation.

Furthermore, the Besam SW200i swing door operator is fully compliant with European standards; one version for surface mounted installations and one for concealed installations.

Technical specifications

Power supply	100-240 VAC +10/-15%, 50/60 Hz, mains fuse max 10A (building installation)
Power consumption	Max. 300 W
Auxiliary voltage	24 V DC, max. 700 mA
Monitored battery backup unit	24 V DC
Electromechanical locking connection	12 V DC, max. 1200 mA or 24 V DC, max. 600 mA
Ambient temperature	-20 °C to +45 °C
Relative humidity (non condensing)	95%
Recommended max. door weight and door width Inertia J = Door Weight x (door width) ² /3 PUSH = 160 kgm ² PULL = 80 kgm ² Concealed = 80 kgm ²	
Class of protection IP20 - To be installed internally or externally with suitable weather protection	
The Besam SW200i complies with	
- EN 1634-1	
- EN 16005	
- UL 325	
- ANSI/BHMA A156.10, A156.19	

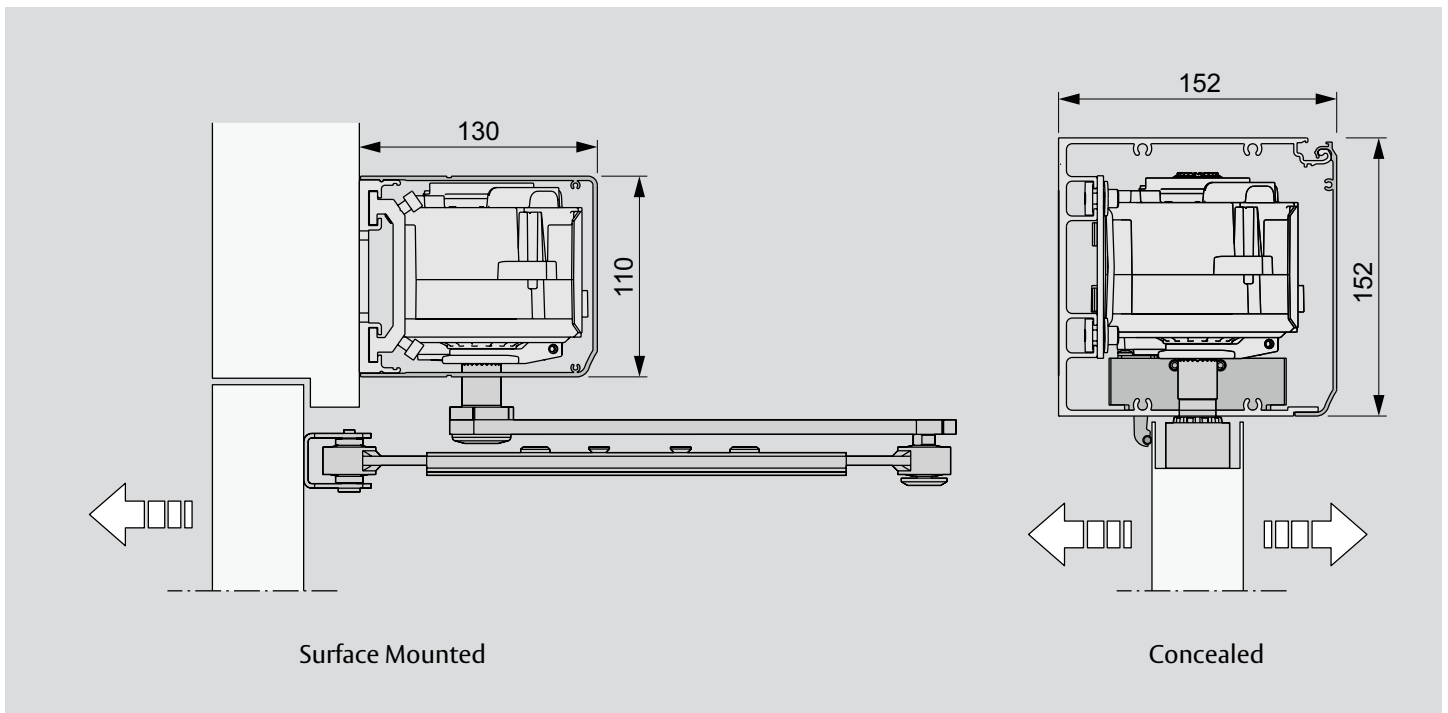
Convenience

An entrance equipped with a Besam SW200i operator is always accessible due to battery backup. The Besam SW200i also monitors the battery for power and function, and gives an electronic indication if it is not working properly and needs to be replaced.

The operator is truly reliable during all weather conditions as it is not affected by stack pressure and wind load when opening and/or closing. Also, for your convenience, safety and quick exit, the Besam SW200i can easily be manually opened when needed; despite extended closing torque, due to sensor detection ensuring lowest manual opening force.

180° Opening

To enable the traffic flow in narrow passages, we can offer an 180° opening with full functionality in both safety and security.



Security

The Besam SW200i's intelligent locking features are designed for your peace of mind. For example, double doors are precisely controlled to prevent jamming and increase security. The Besam SW200i operator can also sense when the door has not closed completely and will prompt the door to open again and close fully, even under heavy wind load and stack pressure.

Aesthetics

The Besam SW200i swing door is providing maximum performance. The Besam SW200i can be retrofitted with existing doors and thereby keeping the overall door system design and environment aesthetically intact.

The PUSH and PULL system that is connected to the output shaft, opens the door in a surface mounted application. In a concealed application the output shaft is connected directly to the pivot point.

Standard equipment

Surface Mounted

Cover - Silver anodized aluminium, other paint finishes optional

Dimensions: - Length 716 mm
- Height 110 mm
- Depth 130 mm

Concealed

Cover - Silver anodized aluminium, other paint finishes optional

Dimensions: - Length min.750 mm
- Height 152 mm
- Depth 152 mm

Control unit CU-200 with EXU-SI and EXU-SA included
- with possibility to connect manual and automatic activation units, position switches, el. locks, presence sensors, battery, kill, open/close etc.

Push and go

Power assist

Accessories and Options

Programme selectors

Battery backup unit

Sync cable – Used on double doors to select the opening and closing order

Impulse and presence detection sensors

Fire kit

Arm systems PUSH, PULL and PAS

Finger trap protection devices

This equipment should be installed, regularly inspected, maintained and serviced by trained and authorized personnel. Preventive maintenance plans are highly recommended for a proper and safe operation. Talk to your ASSA ABLOY Entrance Systems representative to learn more about our service offering!