

# Crawford 662 SMP



Curtain dock shelter in a large variety of dimensions



The Crawford 662 SMP is a curtain dock shelter which is available in a large variety of heights and widths. This model includes a self-adjusting top section which automatically adapts to different vehicle heights and vertical movements. The vehicle reverses into Crawford 662 SMP curtain shelter which seals it off with flexible side and top curtains, giving weather protection during the loading and unloading process.

The result is an improved working environment and goods protection. The curtain material has a very high wear and tear resistance. The Crawford curtain dock shelter programme comprises a number of models, meeting all customer demands and suitable for a wide range of vehicle sizes.

Should a vehicle deviate from the dock-in centre-line and hit the shelter frame, built-in springs allow the shelter to follow the movement without being damaged. Its flexibility and high wear and tear resistance, in combination with a high price-performance ratio, contribute to the fact that the vast majority of all European loading bays are equipped with this standard dock shelter!

### Unique fixation of front curtains to frame

Unlike conventional mechanical dock shelters, the front curtains of the Crawford 662 SMP are fixed to the front frames with steel balls. The steel balls hold the fabric in place inside the frame in a flexible way allowing movement during impact from trucks. The result is that the tear resistance of the fabric is increased and breaking points are avoided. This solution is based on factory made holes in the fabric versus holes made by screws or nuts.

### High focus on the environment

All Crawford mechanical dock shelters can be equipped with a number of standard options for improved working conditions and less draught into the building. See the next page for more detailed information.

### Technical Data

Normal height	3200, 3400, 3600, 3800, 4000, 4200, 4400, 4600 mm
Normal width	3200, 3250, 3400, 3450, 3500 mm
Normal depth	600, 900 mm
Top curtain	1000, 1200, 1500 mm
Side curtain	600, 700 mm
Curtain colour	black
Parking guides	white, yellow
Wall fixings	concrete, sandwich, light concrete, Loadhouse, cavity, insulated panel
Top and side curtains	double layer high quality polyester
Thickness	3,0 mm
Weight	Approx. 3400 g/m <sup>2</sup>
Continuous roof cover	one layer high quality polyester
Thickness	0,5 mm
Weight	Approx. 680 g/m <sup>2</sup>
Flammability all curtains	DIN 75200

## Dimensions

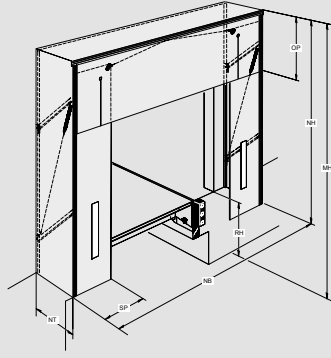


Abb.	Dimension	Value (mm)
NW	Nominal width	3200, 3250, 3400, 3450, 3500
NH	Nominal height	3200, 3400, 3600, 3800, 4000, 4400, 4600
OP	Length of top curtain	1000, 1200, 1500
SP	Width of side curtain	600, 700
MH	Installation height	4500 (recommended)
NT	Nominal depth	600, 900
RH	Ramp height	

## Description of available options

Standard options for improved working conditions and less draught into the building.

### A - Rain Channel

The unique channel is integrated in the middle of the roof part.

- Controlled water drainage
- The water is led out left and right, not into the loading area

### B - Splitted top curtain

4 slits with double overlapping layer of PVC curtain material in the main wear area.

- Flexible coverage of rear top corners of docked vehicle for best sealing
- Less draught into the building

### C - Digit on top curtain

300 mm high letters or numbers printed in the middle of the top curtain.

- Individual customised marking of loading bays

### D - Reinforced rubber flaps

Robust rubber flap placed left and right in lower corners behind the front curtain.

- Increased pressure on the docked vehicle body for best sealing
- Improved stability for the complete dock shelter in windy area
- Less draught into the building

### E - Corner seals

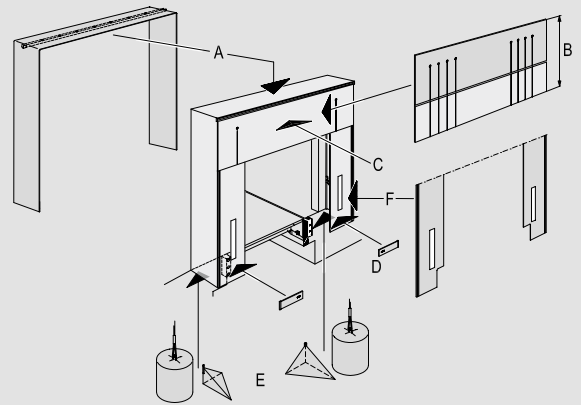
Triangle or round cushions covered with PVC curtain material in lower corners of the dock shelter.

- Minimization of draught from below during loading and unloading

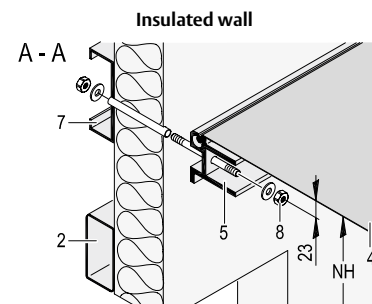
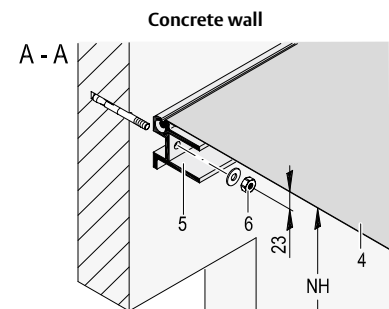
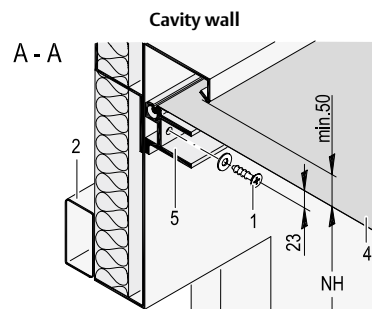
### F - Notching on both sides

From factory a square of the lower corner front curtain is cut out.

- Avoid damaged front curtains due to the collision between vehicle and buffer
- Recommended in combination with min. 140 mm deep buffers, like RB, EBH, EBF or steel spring buffer



## Wall fixings



1	Self-tapping screw
2	Door mounting frame rectangular tube 80 x 40 x 2
3	Sheet metal 3 mm thick
4	Roof cover
5	Extruded aluminium section - rear frame
6	Expansion bolt
7	Mounting frame for dock shelter, 120 x 40 x 15 x 3
8	Threaded bolt with nut, washer and spacer tube

2, 3, 7 are not included in installation price